

# HunterDouglas

## Architectural

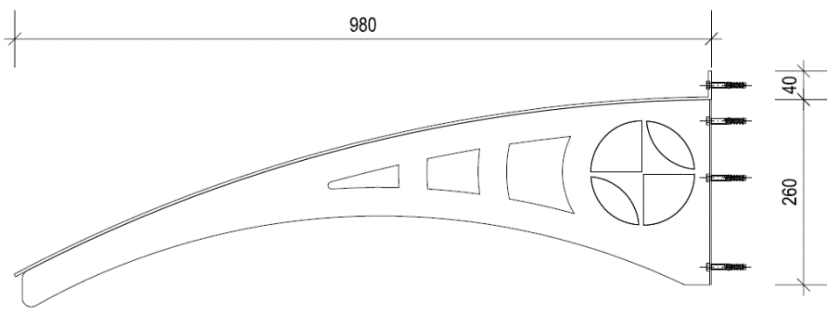
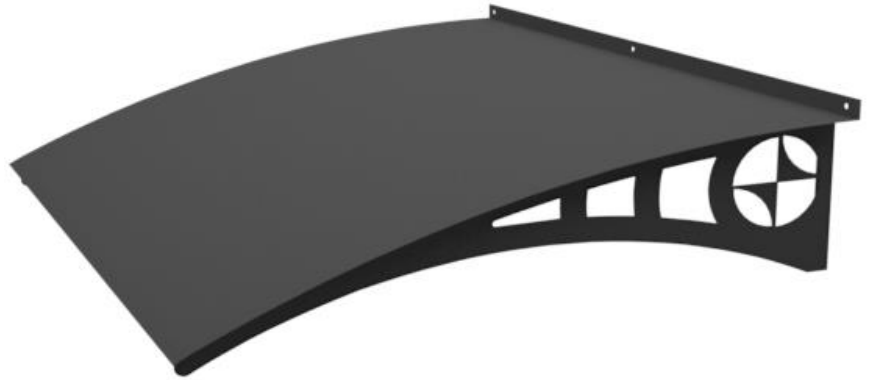
### Velarium Awning

#### Features:

- 100% Aluminium
- Durable
- Robust
- Light weight
- Easy Installation

#### Standard Powder Coat Colours:

- White, Black, Natural



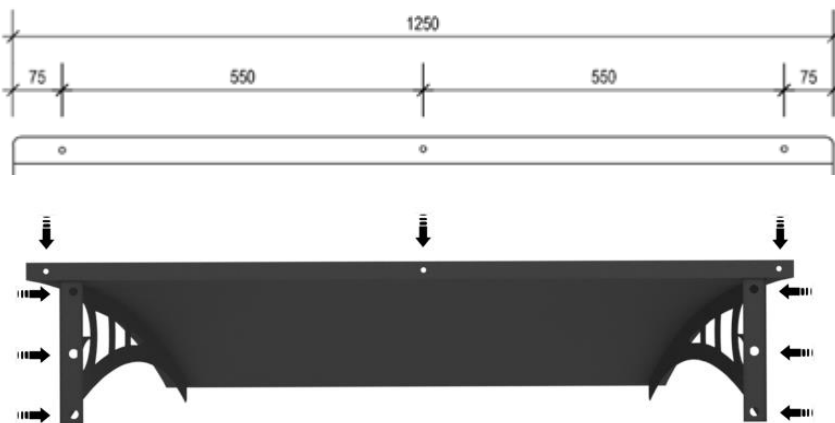
#### Information:

Width	: 1250mm
Projection	: 980mm
Drop	: 260mm
Weight	: 8kg

#### Installation:

- The Velarium Awning is supplied fully assembled.
- Mounting screws depend on the type of wall construction and are not included. (Installing onto standard solid brick wall requires S10 Nylon plugs and 8 x 70mm coaching screws. A 10mm Drill bit is suitable for this purpose).
- Using a spirit level, hold the awning in place and mark drill locations as illustrated in images below.
- Drill holes. Apply silicone to the rear awning lip to prevent water seepage between the awning and the mounting surface.
- Secure the awning to the surface. Care must be taken not scratch or damage the awning during installation.

#### Roof Section



#### Tools Required:

